

# VHF35M -MP

Image Size: 1.1 inch, 1 inch

**【SPECIFICATIONS】** Megapixel Lens

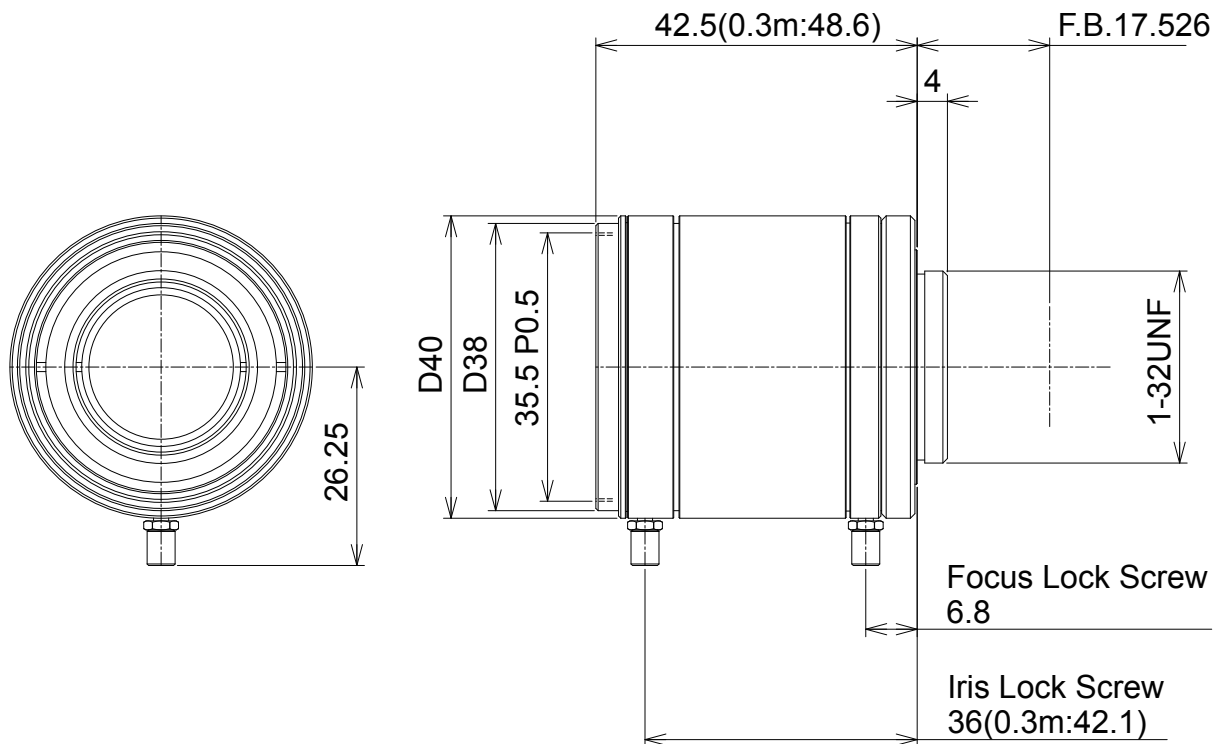
Focal Length:	35mm
Maximum Relative Aperture:	1:1.4
Iris:	F1.4~ 22
Angle of View:	H20.9° × V16.0° (D26.0°) H22.9° × V17.2° (D28.6°)
Image Size:	12.8 × 9.6mm (16mm) [14.1 × 10.6mm (17.8mm)]
Minimum Object Distance:	0.3m (From Front Vertex)
Resolution:	35μm
Optical Distortion:	-1.4% [-1.7%] (at near) -1.0% [-1.2%] (at far)
TV Distortion:	-0.4% [-0.5%] (at near) -0.3% [-0.4%] (at far) [Value at 1.1"]

Optical Back Focal Distance:	18.5mm (In Air)
Flange Back:	17.526mm
Operation:	Focus: Manual Iris: Manual
Operating Temperature:	-10 ~ +50
Mount:	C-Mount
Filter Size:	35.5mm P0.5
Size:	40 × 42.5mm
Weight:	129g

**【COMPOSITION】**

- Lens.....1
- Spanner.....1
- Lens Cap.....1
- Dust Cap.....1

**【DIMENSIONS】**



Unit:mm