

VHF25M -MP

Image Size: 1.1 inch, 1 inch

【SPECIFICATIONS】 Megapixel-Lens

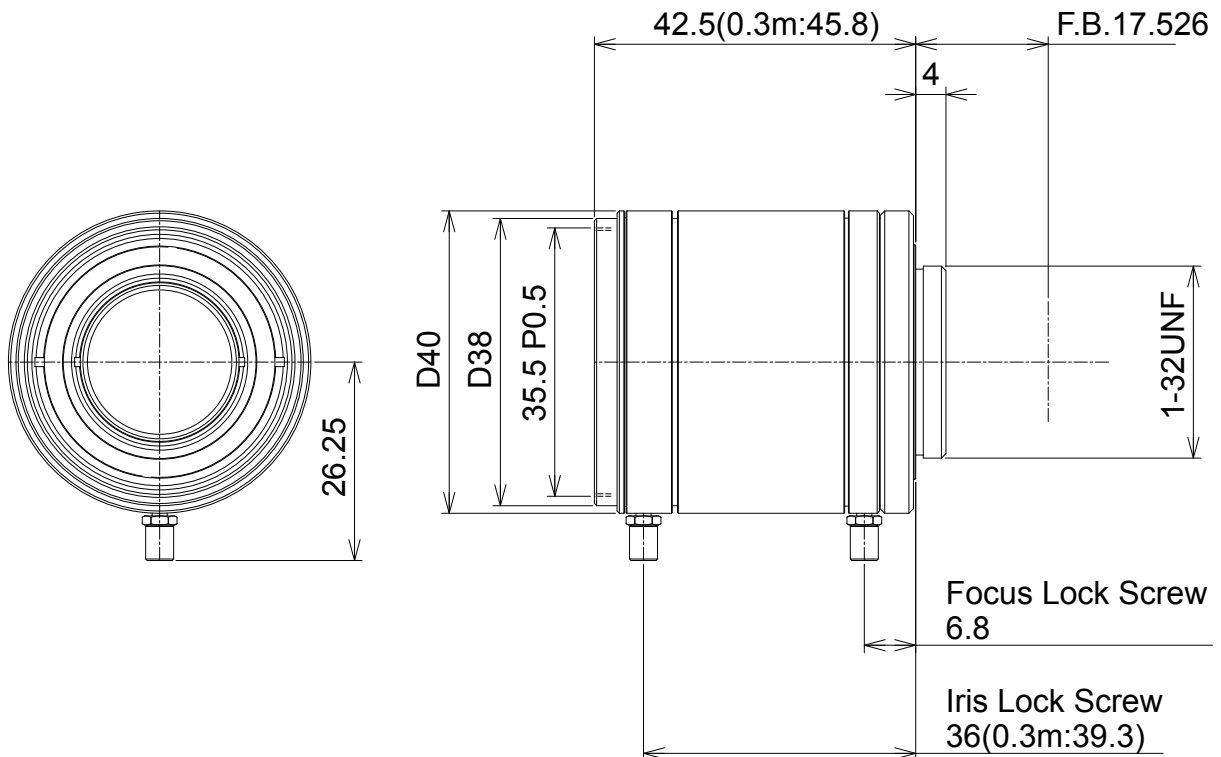
Focal Length:	25mm
Maximum Relative Aperture:	1:1.4
Iris:	F1.4~ 22
Angle of View:	H29.0° × V21.9° (D36.1°) H31.9° × V24.1° (D39.6°)
Image Size:	12.8× 9.6mm (16mm) [14.1× 10.6mm (17.6mm)
Minimum Object Distance:	0.3m (From Front Vertex)
Resolution:	35μ m
Optical Distortion:	-2.2% [-2.7%] (at near) -1.8% [-2.1%] (at far)
TV Distortion:	-0.7% [-0.8%] (at near) -0.5% [-0.8%] (at far) [Value at 1.1"]

Optical Back Focal Distance:	16.6mm (In Air)
Flange Back:	17.526mm
Operation:	Focus: Manual Iris: Manual
Operating Temperature:	-10 ~ +50
Mount:	C-Mount
Filter Size:	35.5mm P0.5
Size:	40× 42.5mm
Weight:	119g

【COMPOSITION】

- Lens.....1
- Spanner.....1
- Lens Cap.....1
- Dust Cap.....1

【DIMENSIONS】



Unit:mm