

VHF16M-MP

Image Size: 1.1 inch, 1 inch

【SPECIFICATIONS】 Megapixel Lens

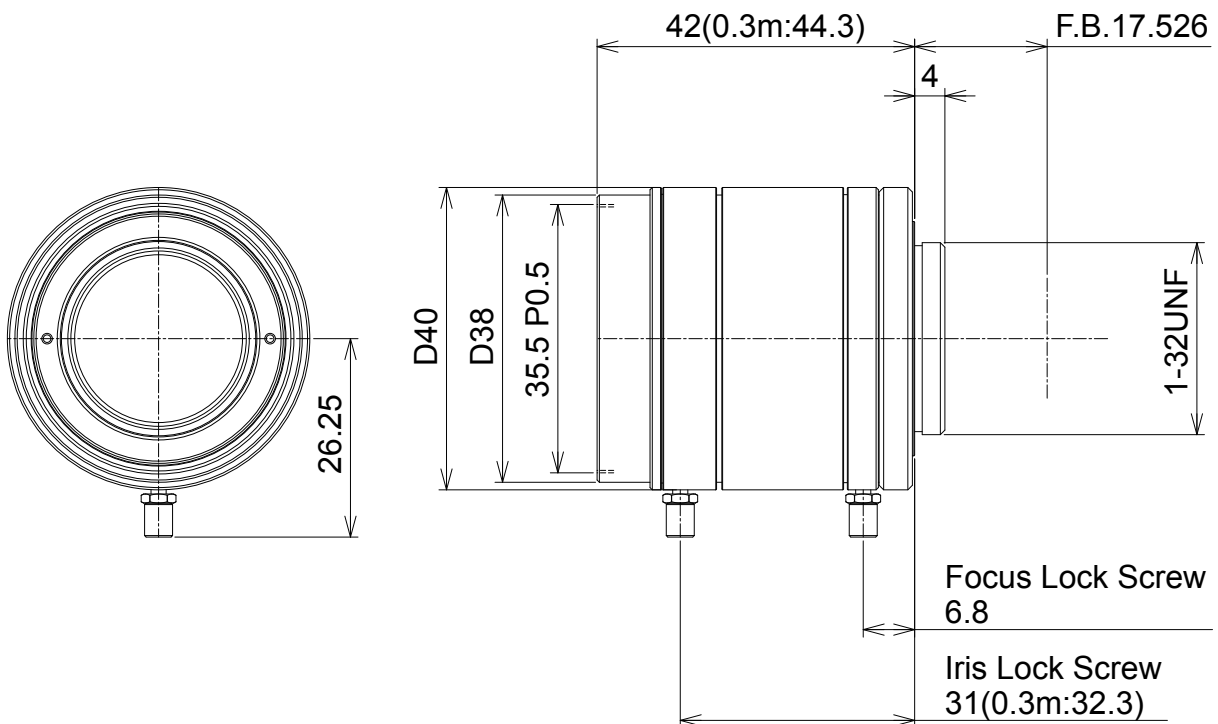
Focal Length:	16mm
Maximum Relative Aperture:	1:1.4
Iris:	F1.4~ 22
Angle of View:	H44.5° × V33.8° (D54.6°) H48.6° × V37.1° (D59.4°)
Image Size:	12.8× 9.6mm (16mm) [14.1× 10.6mm (17.6mm)
Minimum Object Distance:	0.3m (From Front Vertex)
Resolution:	50μ m
Optical Distortion:	-3.3% [-3.8%] (at near) -3.1% [-3.4%] (at far)
TV Distortion:	-0.9% [-1.0%] (at near) -0.8% [-0.9%] (at far) [Value at 1.1"]

Optical Back Focal Distance:	16.4mm (In Air)
Flange Back:	17.526mm
Operation:	Focus: Manual Iris: Manual
Operating Temperature:	-10 ~ +50
Mount:	C-Mount
Filter Size:	35.5mm P0.5
Size:	40× 42mm
Weight:	120g

【COMPOSITION】

- Lens.....1
- Spanner.....1
- Lens Cap.....1
- Dust Cap.....1

【DIMENSIONS】



Unit:mm