

# JHF12M-8MP-RG

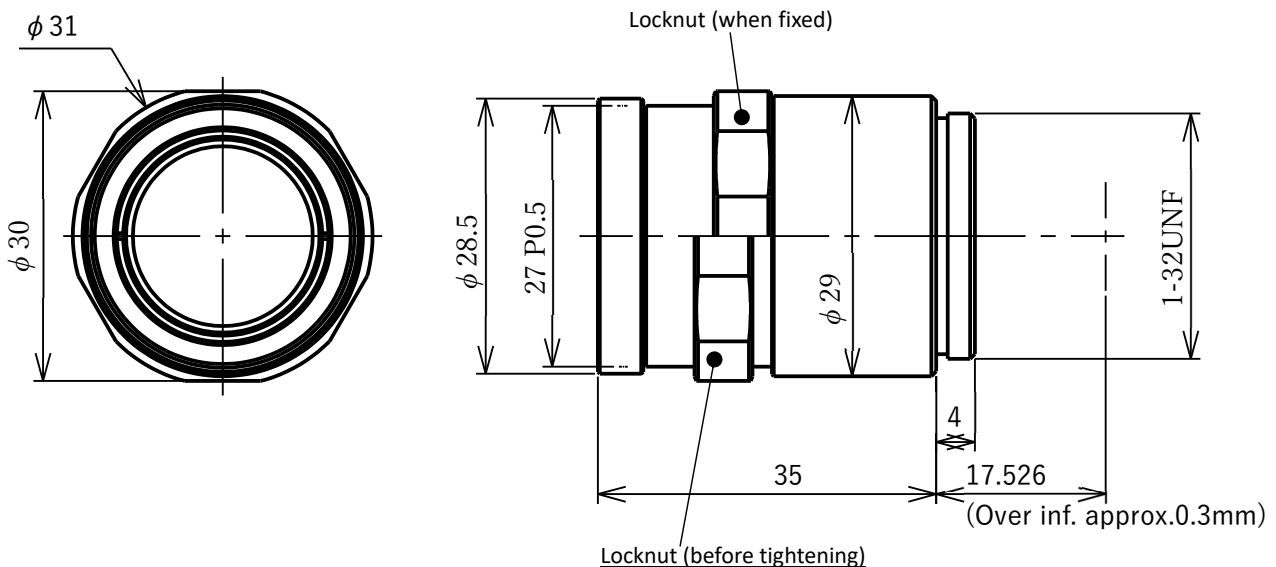
## 【SPECIFICATIONS】

Image size:	2/3" $\phi$ 11mm 8.8×6.6mm (4:3)	Back focal distance:	14.276mm ( $\infty$ )
Focal length:	12mm	Flange focal distance:	17.526mm ( $\infty$ ) Over inf. approx. 0.3mm
Maximum aperture ratio:	1 : 2.4	Operation:	Focus      Manual Iris         -
Iris:	F2.4~22	Operating Temperature:	-10~+50°C
Angle of view:	H40.3°×V30.8°×D49.1° ( $\infty$ )	Mount:	C-mount
Minimum object distance:	0.1m (recommended object distance 0.3m)	Filter screw size:	27mm P0.5
Resolution:	2.7 $\mu$ m (at object distance of 0.3m)	Dimensions:	$\phi$ 29×35.0mm (the length is 36.4mm at minimum object distance 0.1m)
TV distortion:	-0.0005% (at object distance of 0.3m)	Weight:	Approx. 50g
Optical distortion:	-0.26% (at object distance of 0.3m)		

## 【COMPOSITION】

Lens ······1      Lens cap ···1      Dust cap ···1

## 【DRAWING】



Specifications and appearance are subject to change without notice.